
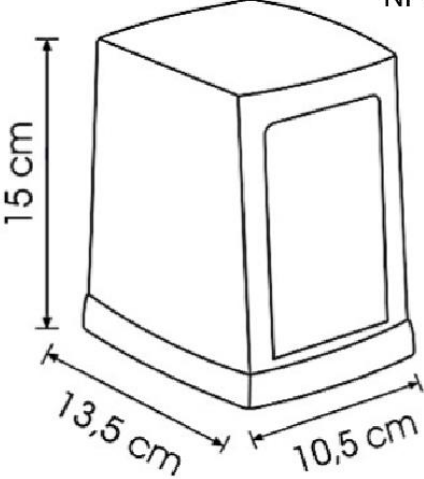
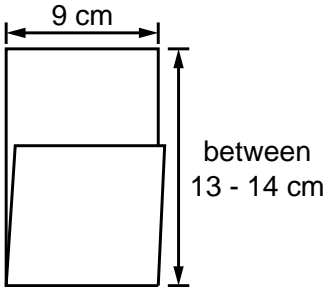


TECHNICAL SPECIFICATIONS

| APPEARANCE OF THE PRODUCT | | |
|--|---|---|
| PHOTO | SCHEMA | |
|  |  | |
| DESCRIPTIONS | | |
| Description of Product | Napkin Dispenser | |
| Product Code | NP100 / NP100B / NP100M / NP100A | |
| Color | White / Black / Metallic / Wood Effect | |
| Material | ABS Plastic + Metallic Dye | |
| Dimensions (Height x Width x Depth in cm) | 15 x 10,5 x 13,5 cm | |
| PROPER NAPKIN SPECIFICATIONS | | |
| Suitable Tissue Type | Paper Napkin |  |
| Width of Napkin Paper After Folding | 9 cm | |
| Height of Napkin Paper After Folding | between 13-14 cm | |
| MANUFACTURER INFORMATION | | |
| Manufacturer | Oguzhan Plastics and Moulding Co. Ltd. | |
| Origin | Made in Turkey | |

Last Update: 25.02.2020